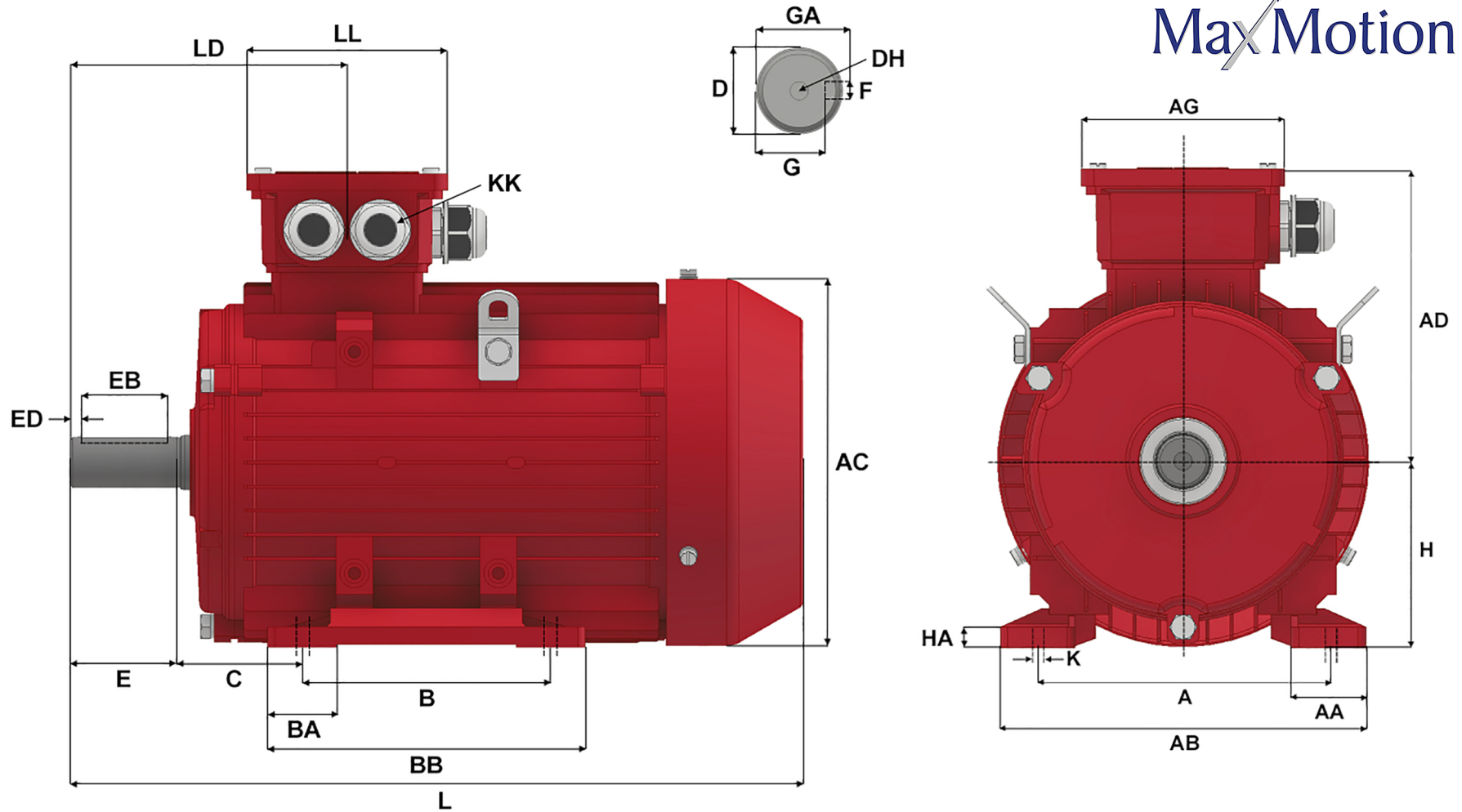


MaxMotion



Version: 1JLEM		Revised: 09-11-2019				HP	RPM	FRAME	ENCLOSURE	IJA132M1-2-B3			
Customer is responsible in determining that Max Motion product will fit/perform suitably in the intended application						12.4	3515	132M	TEFC				
A	B	C	D	E	F	G	H	K	L	AA	AB	AC	
216	178	89	38	80	10	33	132	12 X 16	485	51	262	258	
AD	AG	BA	BB	DH	EB	ED	GA	HA	KK (1)	KK (2)	KK (3)	LD	
188	117.5	46	224	M12 X 28	65	7.5	41	15	M32 X 1.5	3/4" NPT	M16 X 1.5	180	
LL													
117.5													